


PLAN PREPARATION

TRANS ASSOCIATES : Mark C. Szewczyk, P.E.
 Judith A. Busch, P.E.
 CONSULT ENGINEERS

DISTRICT	COUNTY	TOWNSHIP	BRANCH	ROUTE	SECTION	TOTAL
STA 10	BUTLER	CONCORD	WASHINGTON	1038	ITS	ITS
SYS	S.R. or H.C.	SPUR	PHA	SECTION	DIST	CO
0	0038	0	7	ITS	10	2

CMS *10284

COMMONWEALTH OF PENNSYLVANIA



DEPARTMENT OF TRANSPORTATION

DRAWINGS FOR CONSTRUCTION OF INSTALLATION OF L.T.S. WARNING DEVICES

NOTE: S.R. 0038 PREVIOUSLY KNOWN AS L.R. 75

STATE ROUTE 0038 SECTION ITS
 IN BUTLER COUNTY


FROM STA. 635+62 TO STA. 857+44 LENGTH 3,957 FT. 0.75 M.
 FROM SEG. 0220 OFFSET 2526 TO SEG. 0320 OFFSET 1039

SCALE



DESIGN DESIGNATION

TRAFFIC DATA	S.R. 0038
HIGHWAY CLASSIFICATION	Minor Arterial
DESIGN SPEED	40 M.P.H.
PAVEMENT WIDTH	22'
SHOULDER WIDTH	Variable
CURRENT A.D.T.	4,000 (2001)
DESIGN YEAR A.D.T.	4,800 (2020)
D.H.V.	480
D	50%
T	5%

PREPARED BY:  DATE: 4/16

RECOMMENDED: [Signature] DISTRICT ENG DATE: 4-12

RECOMMENDED: [Signature] DATE: 4-12

APPROVED: [Signature] DEPUTY SECY DATE: 4-12

SECRETARY OF TRANSPORTATION
 (ON BEHALF OF THE GOVERNOR
 AS WELL AS HIMSELF)

GENERAL NOTES

ALL WORK CONTAINED ON THIS PROJECT IS CONFINED WITHIN THE EXISTING HIGHWAY RIGHT-OF-WAY.

VARIABLE WIDTH OF WAY ON S.R. 0038 FROM STA. 636+02 TO STA. 654+88 IS VARIABLE IN WIDTH 50 FEET TO 75 FEET, BASED ON PLAN OF L.R. 75, SIGNED BY THE GOVERNOR ON FEBRUARY 11, 1920.

VARIABLE WIDTH OF WAY ON S.R. 0038 FROM STA. 637+13 TO STA. 657+44 IS VARIABLE IN WIDTH 50 FEET TO 75 FEET, BASED ON PLAN OF L.R. 75, SIGNED BY THE GOVERNOR ON SEPTEMBER 3, 1929.

DATE: PROJECT IN ACCORDANCE WITH SPECIFICATIONS, PUBLICATION 408, DO NOT INTERFERE WITH THE OPERATION OF ANY FIRE HYDRANTS, FIRE CALL BOXES OR POLICE CALL BOXES.

THE DEPARTMENT OF TRANSPORTATION DOES NOT GUARANTEE THE ACCURACY OF THE LOCATION FOR EXISTING SUBSURFACE UTILITY STRUCTURES SHOWN ON THE PLAN. THE CONTRACTOR SHALL VERIFY THE LOCATION AND DEPTH OF ALL UTILITY STRUCTURES SHOWN. THE CONTRACTOR SHALL BE RESPONSIBLE FOR THE PROTECTION OF ALL UTILITY STRUCTURES OTHER THAN THOSE INDICATED, ARE ON THE FOLLOWING STANDARD DRAININGS:

STANDARD

MAY 18, 1998

TC-7600 (3 SHEETS)

AUGUST 1, 1997

TC-9700 (8 SHEETS)

JUNE 30, 1997

TC-7601 (4 SHEETS)

JUNE 30, 1998

TC-7602

JUNE 30, 1998

TC-7603

JUNE 30, 1998

TC-7604 (2 SHEETS)

JUNE 30, 1998

TC-7605 (2 SHEETS)

JUNE 30, 1998

TC-7606 (2 SHEETS)

JUNE 30, 1998

RC-70N (5 SHEETS)

APRIL 28, 2000

RC-82M

APRIL 28, 2000

MAINTENANCE AND PROTECTION OF TRAFFIC IS TO ADHERE TO PUBLICATION 203, TERM SIGNING, SIGNAGE AND/OR TUB FOR SHORT-TERM SIGNING AND FIGURE 25 FOR LONG-TERM SIGNING.

- LIST OF PUBLIC UTILITIES FOR S.R. 0038, SEC. ITS, WASHINGTON TOWNSHIP**
- | | | |
|-----|-------------------------|---|
| - G | City of PA, Inc. | Emittion, PA 15373 |
| - G | Allegheny Power Company | Butler, PA 16001 |
| - E | Allegheny Power Company | Butler, PA 16001 |
| - T | Sprint | 1201 Walnut Bottom Road, Carlisle, PA 17013 |
| - E | Allegheny Power Company | 1-800-242-1776 |
| - E | Allegheny Power Company | 1-800-242-1776 |
- LIST OF PUBLIC UTILITIES FOR S.R. 0038, SEC. ITS, WASHINGTON TOWNSHIP**
- | | | |
|-----|-------------------------|---|
| - G | City of PA, Inc. | Emittion, PA 15373 |
| - G | Allegheny Power Company | Butler, PA 16001 |
| - E | Allegheny Power Company | Butler, PA 16001 |
| - T | Sprint | 1201 Walnut Bottom Road, Carlisle, PA 17013 |
| - E | Allegheny Power Company | 1-800-242-1776 |
| - E | Allegheny Power Company | 1-800-242-1776 |

TABULATION OF OVERALL LENGTH

S.R. 0038, SECTION ITS

STA. 636+02 TO STA. 657+44 = 22,82 FT. = 4.20 MI.

TABULATION OF CONSTRUCTION LENGTH

S.R. 0038, SECTION ITS

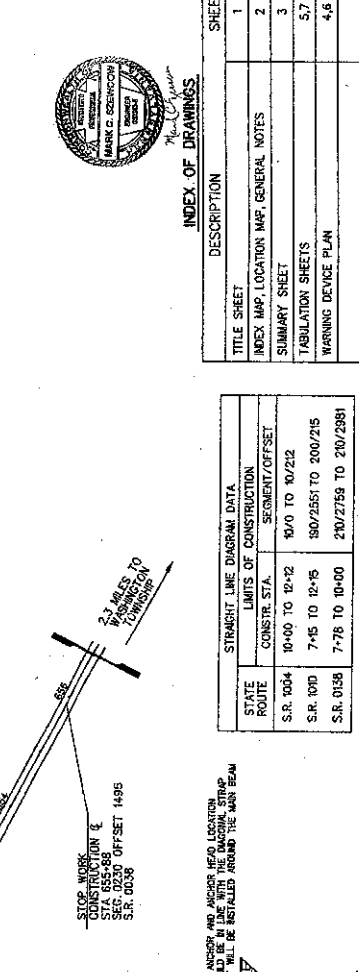
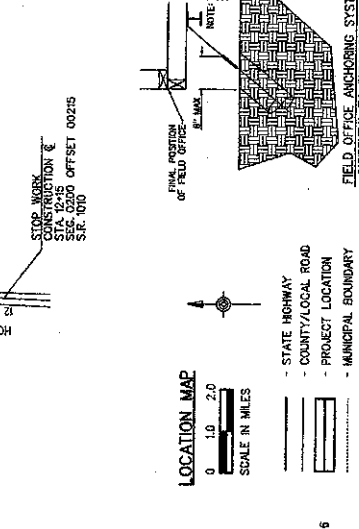
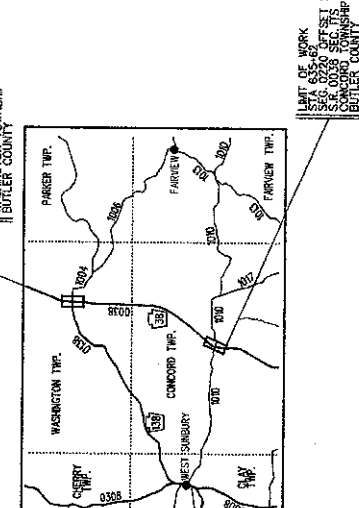
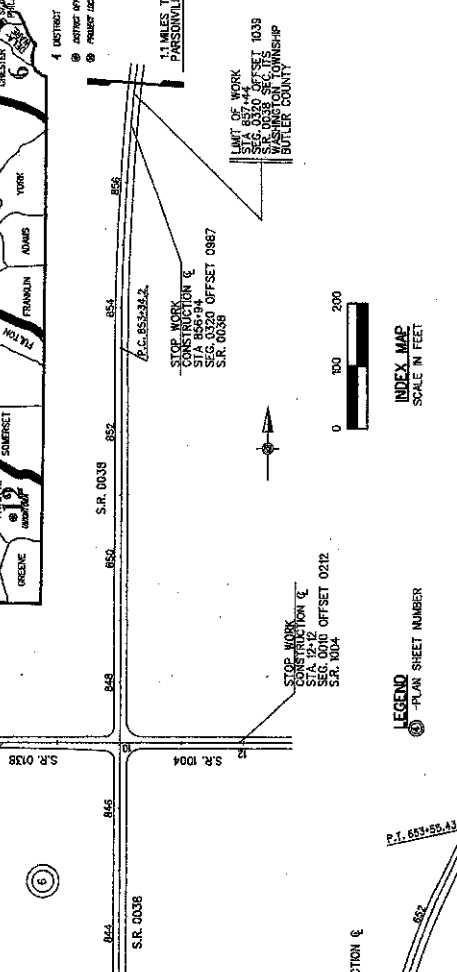
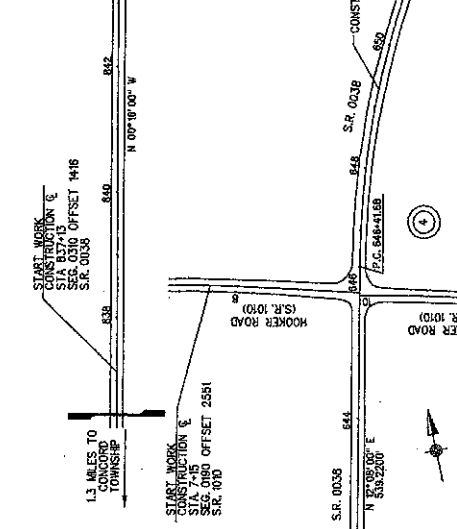
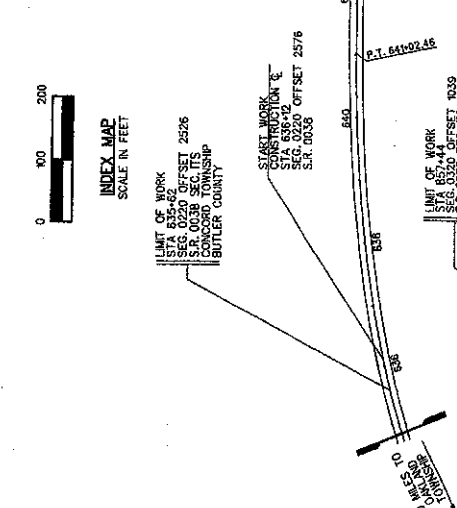
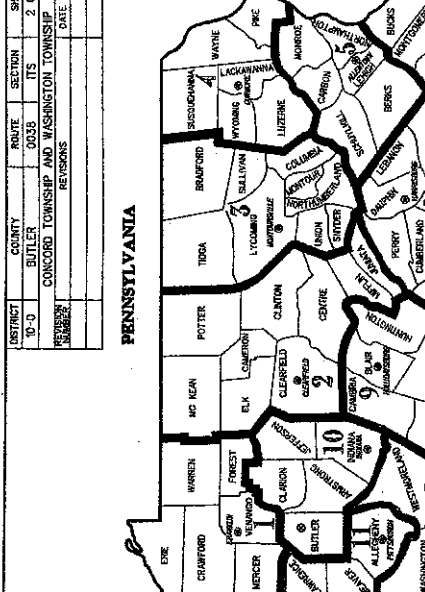
STA. 636+02 TO STA. 654+88 = 1,876 FT. = 0.37 MI.

STA. 637+13 TO STA. 656+94 = 1,981 FT. = 0.38 MI.

TOTAL CONSTRUCTION LENGTH = 3,857 FT. = 0.75 MI.

TABULATION OF SEGMENT EQUALITIES

SEGMENT	STATION
230	230, OFFSET 2526 = 640+43
230	230 = 847+05
320	320, OFFSET 1039 = 857+44



INDEX OF DRAWINGS

TITLE SHEET	DESCRIPTION	SHEET
INDEX MAP, LOCATION MAP, GENERAL NOTES		1
SUMMARY SHEET		2
TABULATION SHEETS		3
WARNING DEVICE PLAN		5.7
		4.6

STRAIGHT LINE DIAGRAM DATA

STATE ROUTE	CONSTR. STA.	SEGMENT/OFFSET
S.R. 1004	10+00 TO 12+12	10/0 TO 10/212
S.R. 1070	7+45 TO 12+15	800/255 TO 2000/215
S.R. 0158	7+78 TO 10+00	210/2758 TO 210/2981

LEGEND

- PLAN SHEET NUMBER

STOP WORK CONSTRUCTION & LIMIT OF WORK

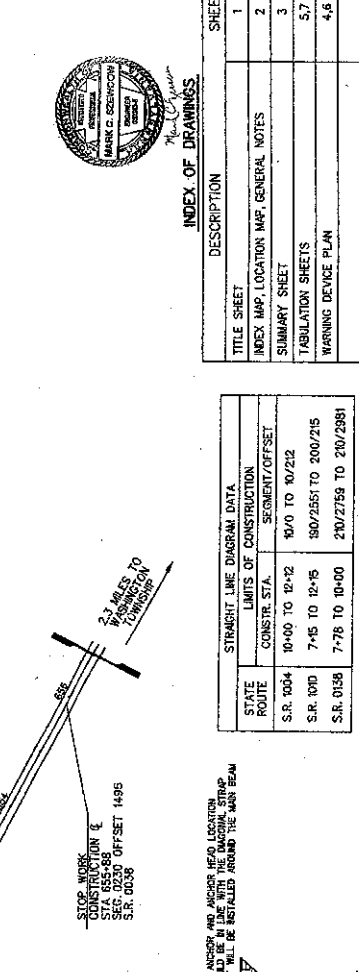
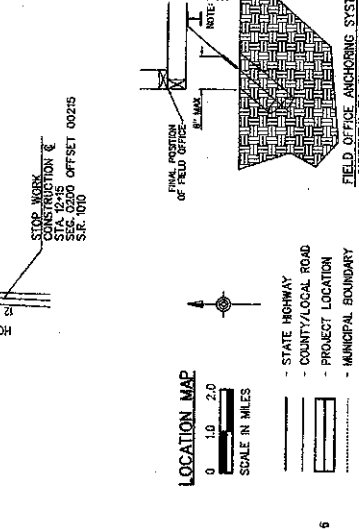
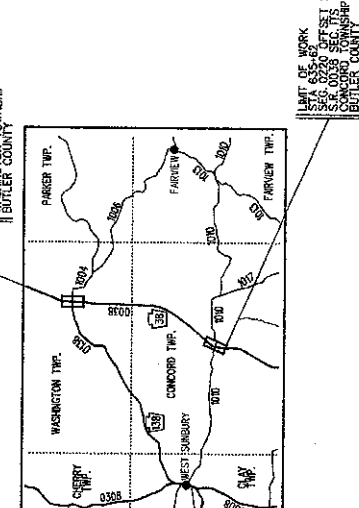
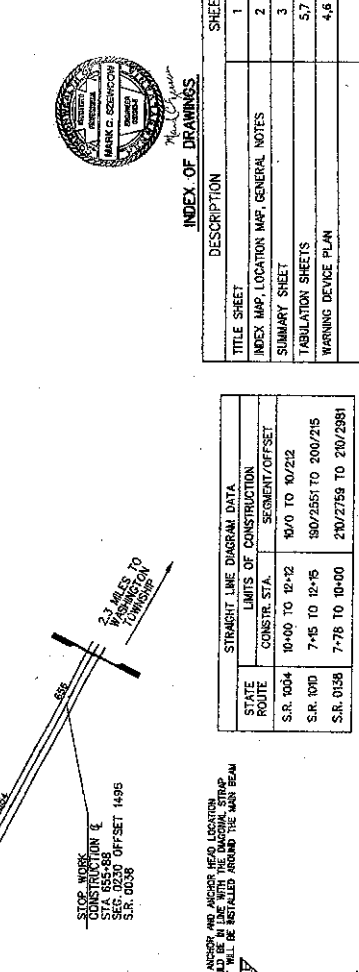
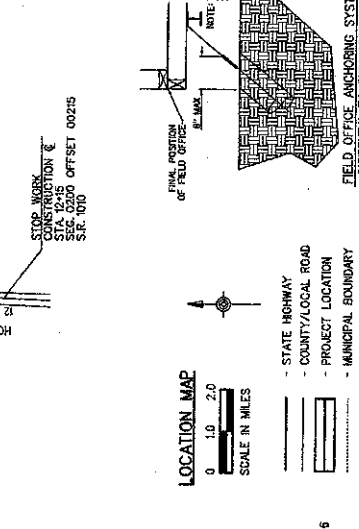
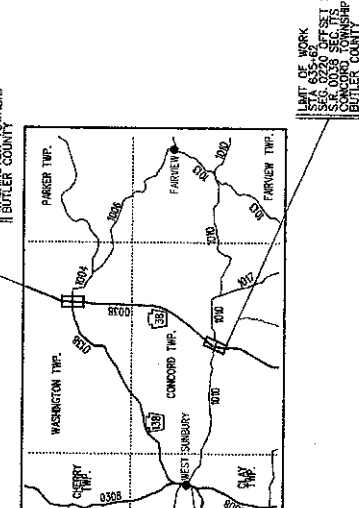
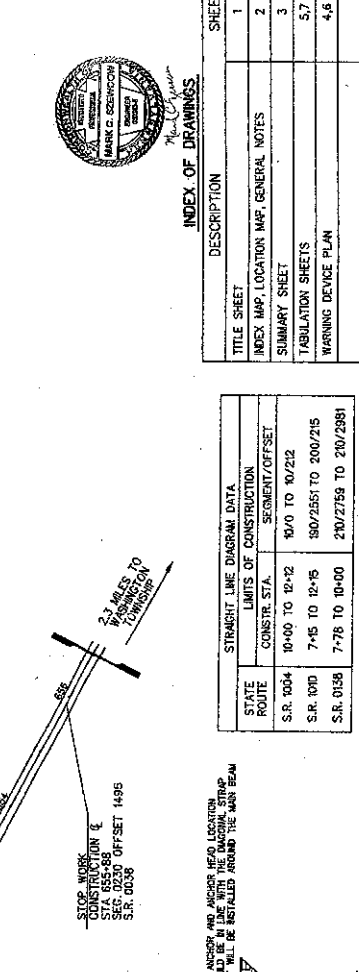
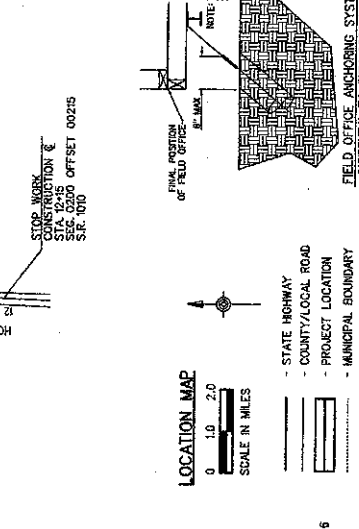
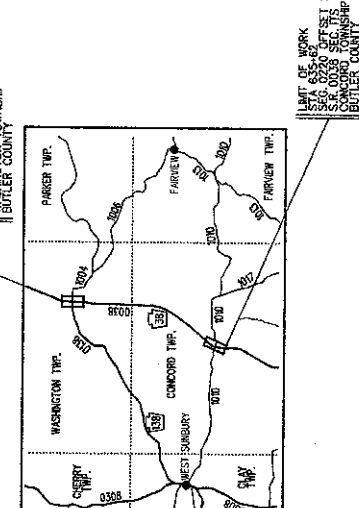
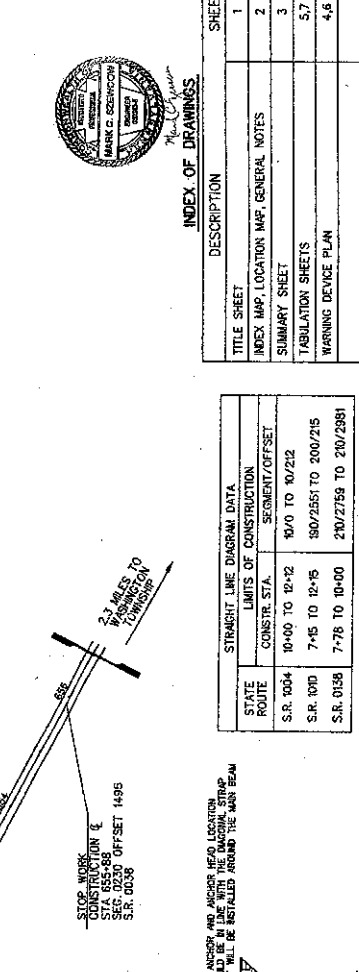
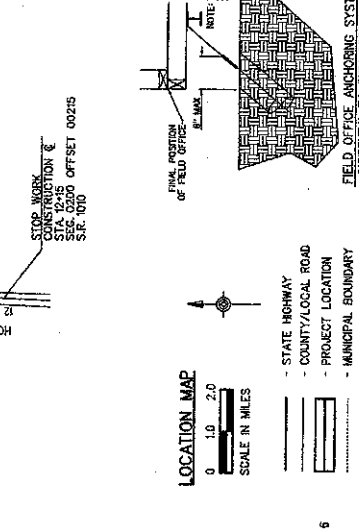
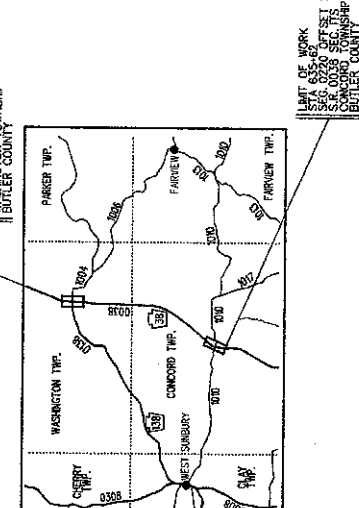
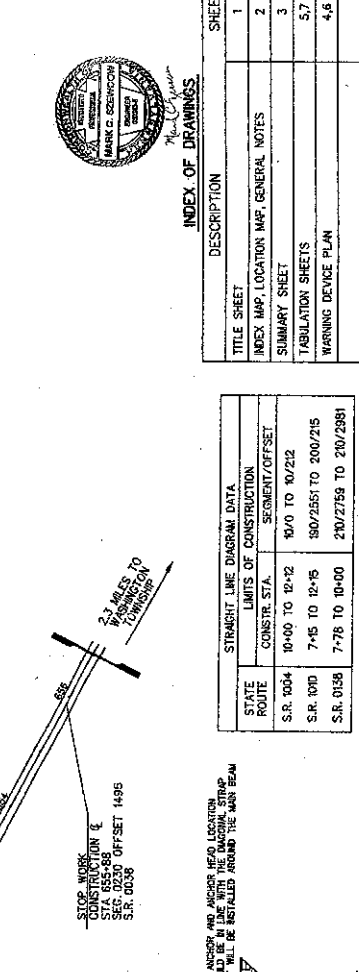
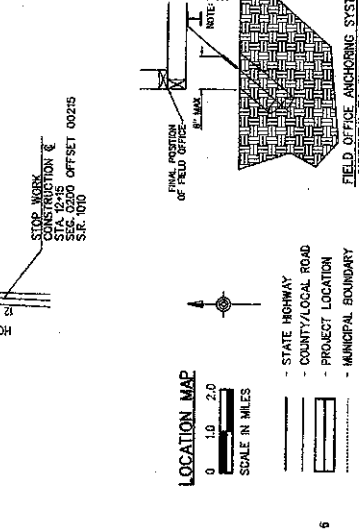
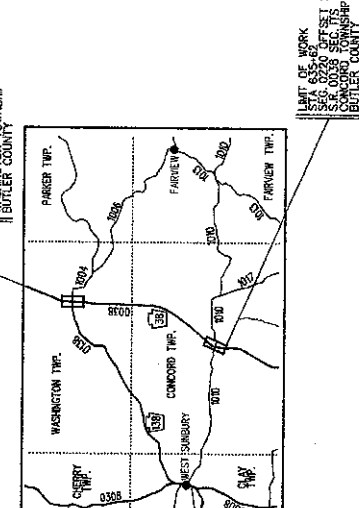
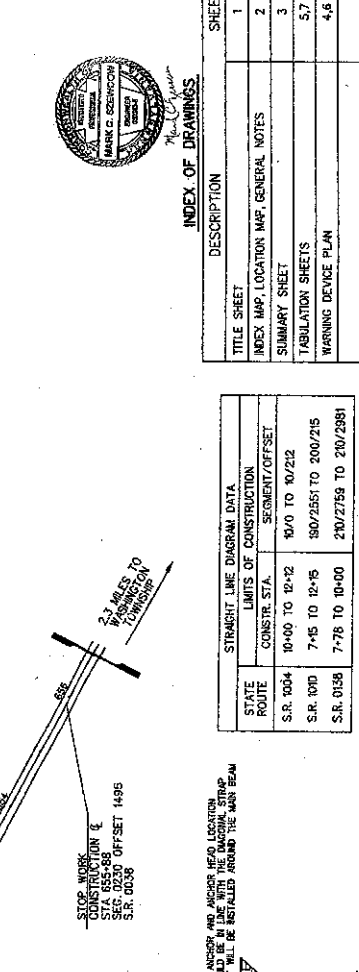
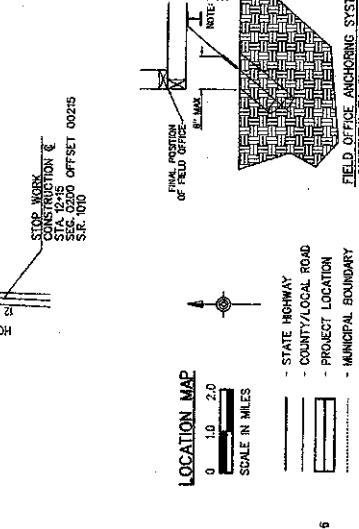
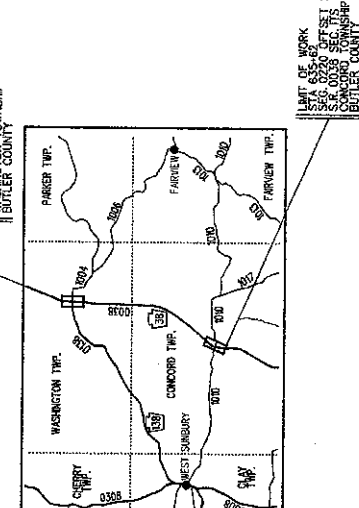
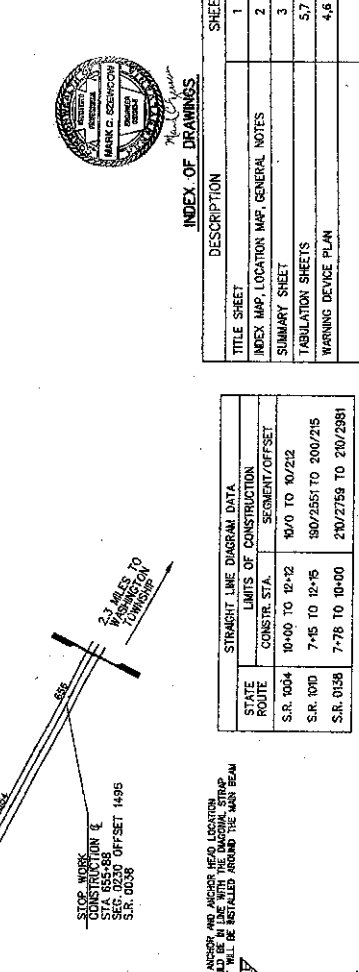
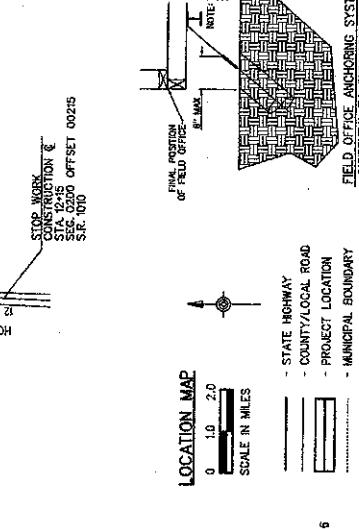
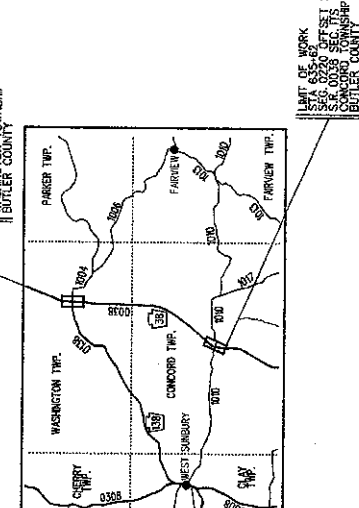
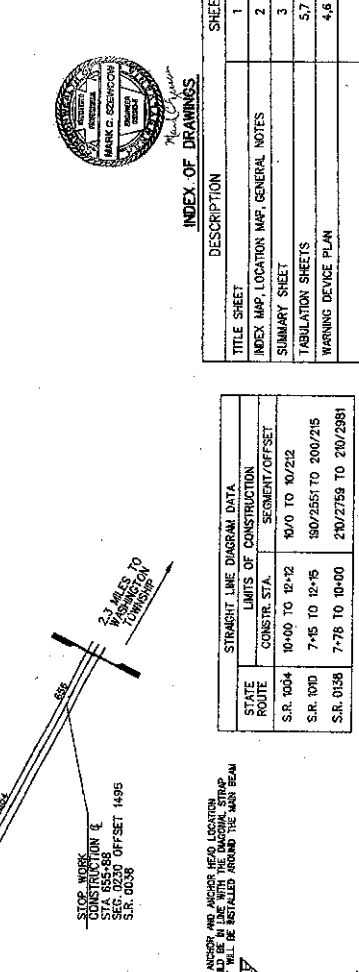
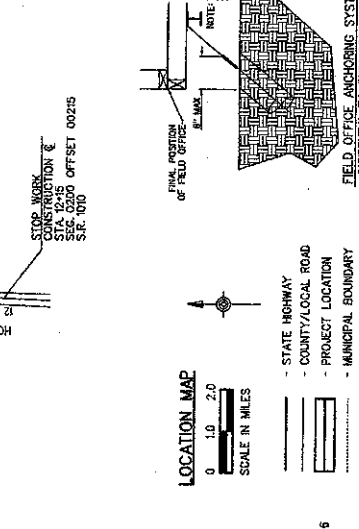
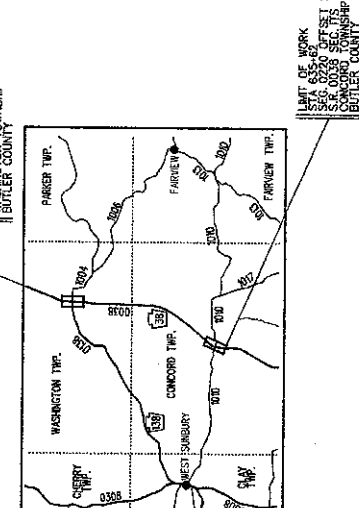
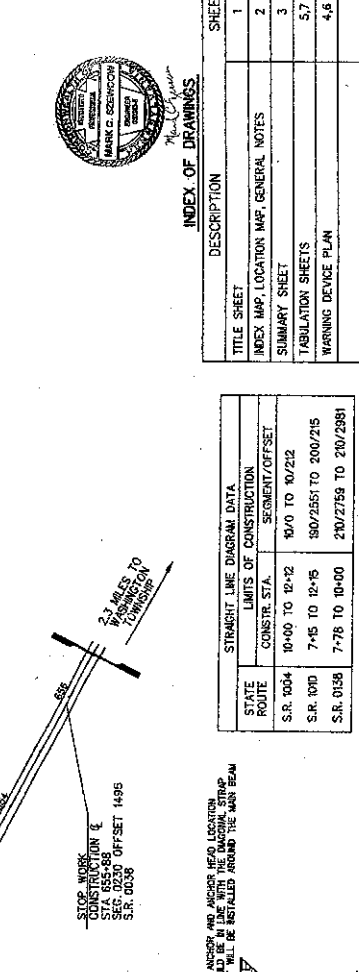
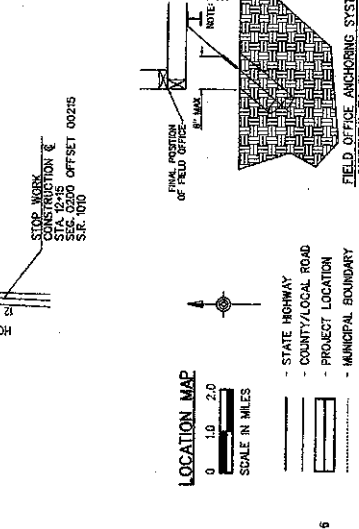
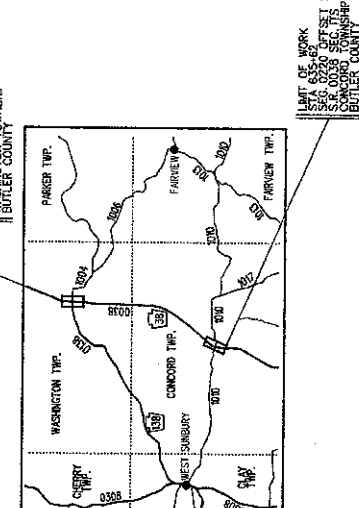
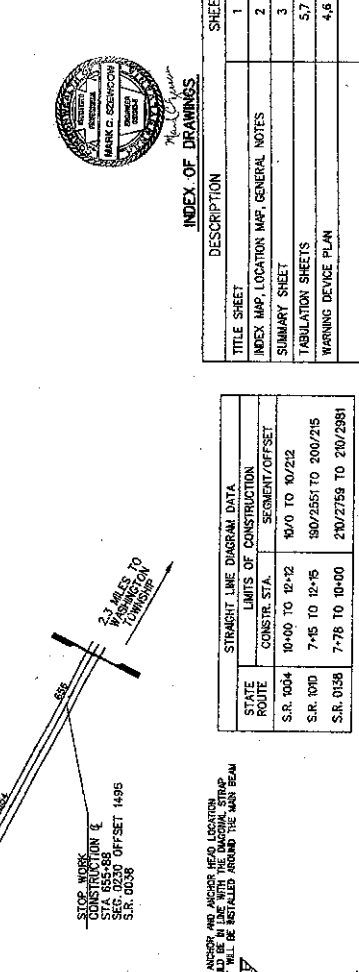
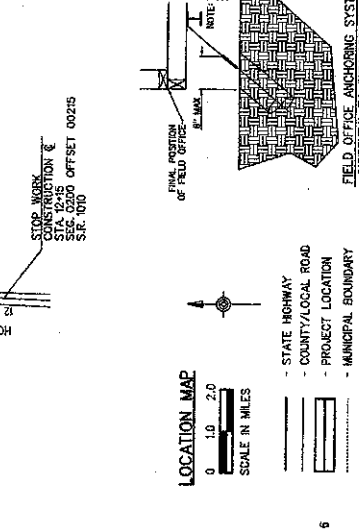
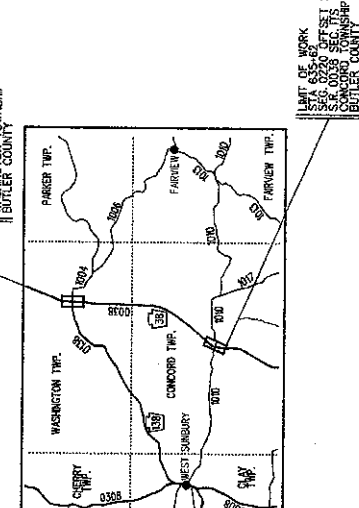
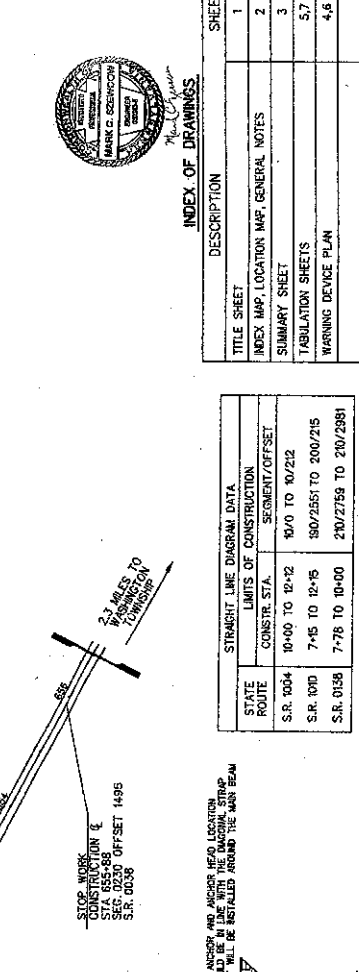
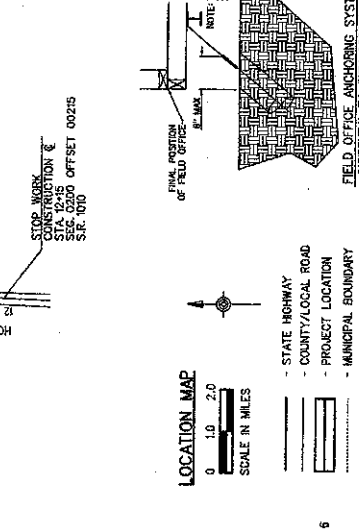
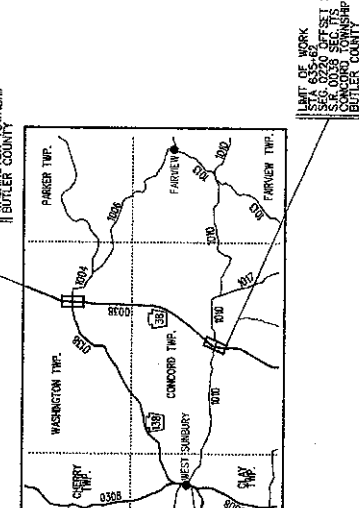
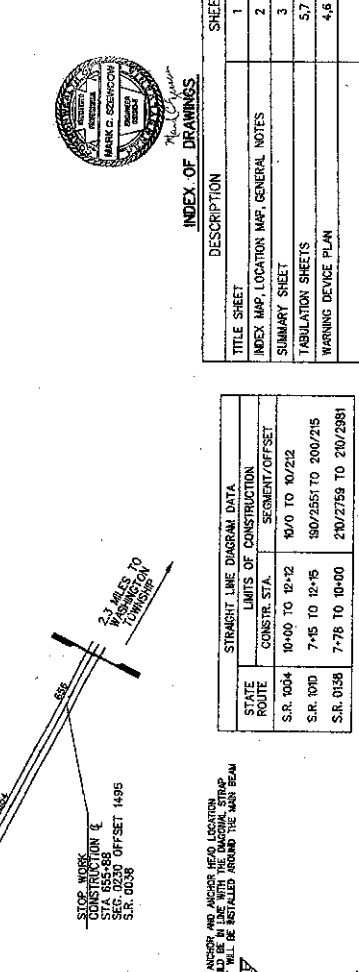
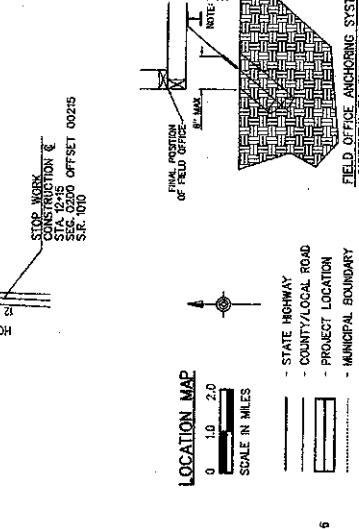
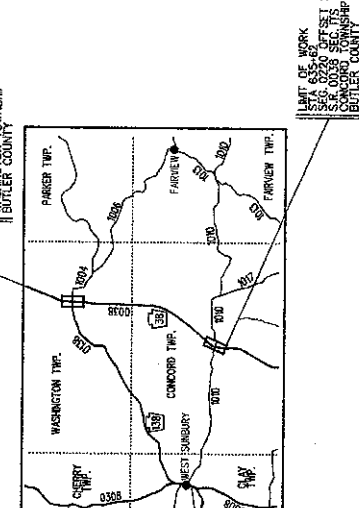
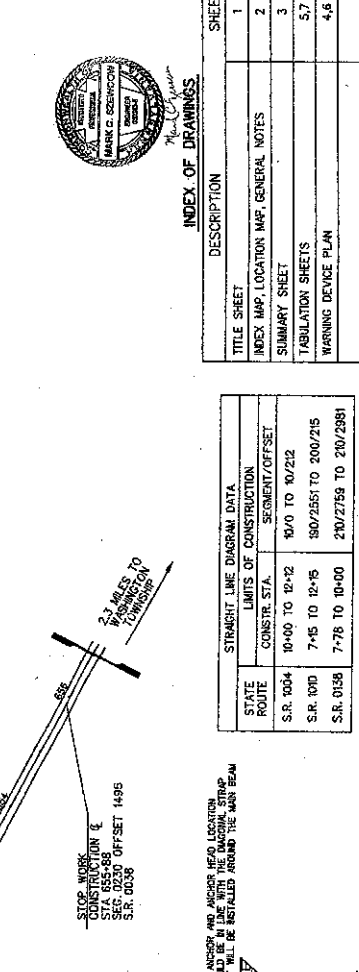
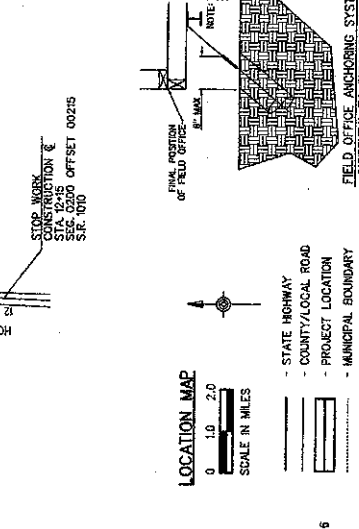
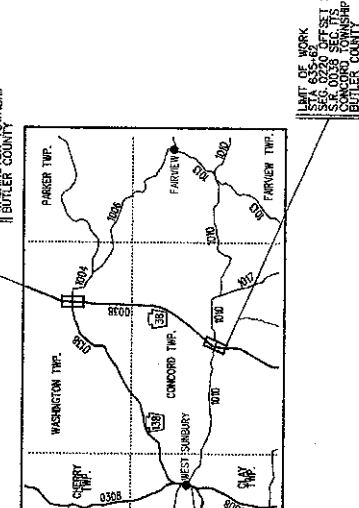
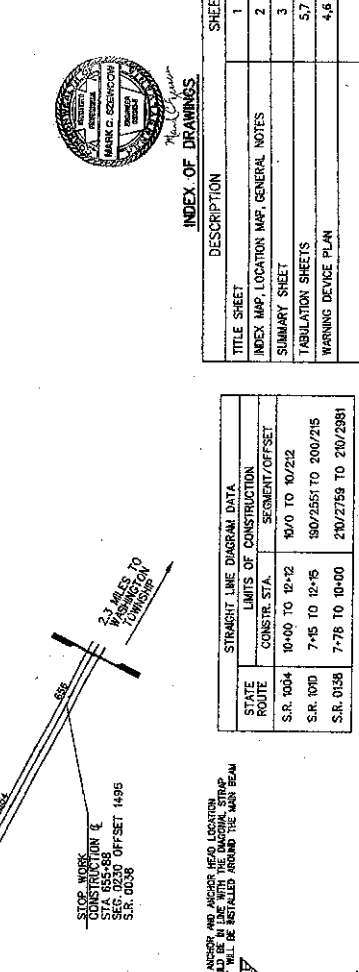
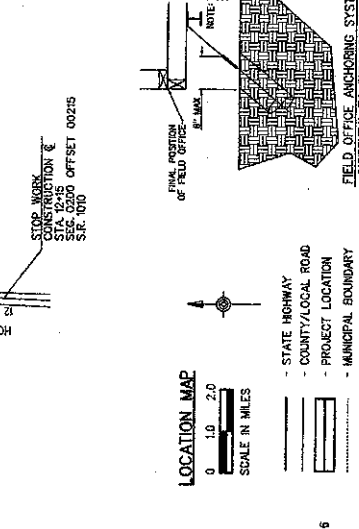
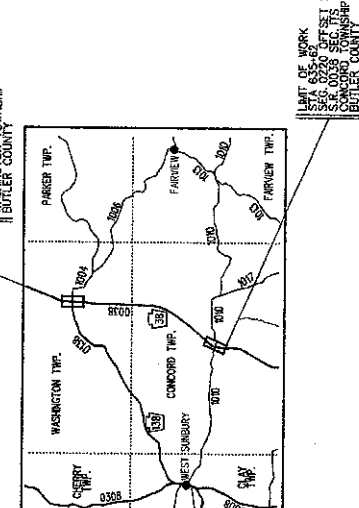
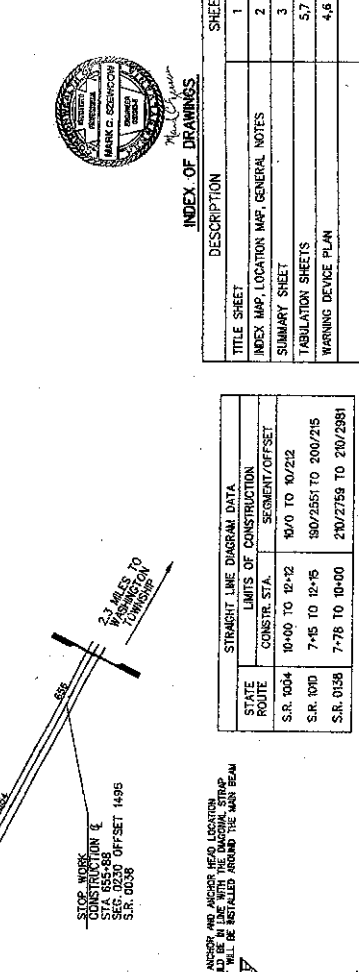
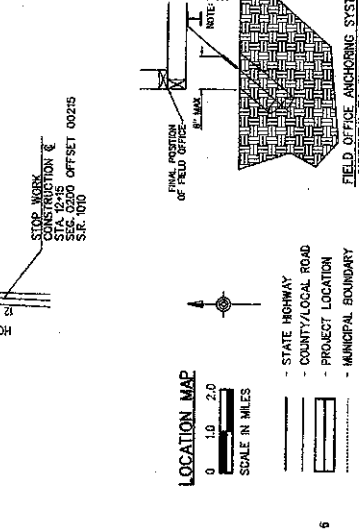
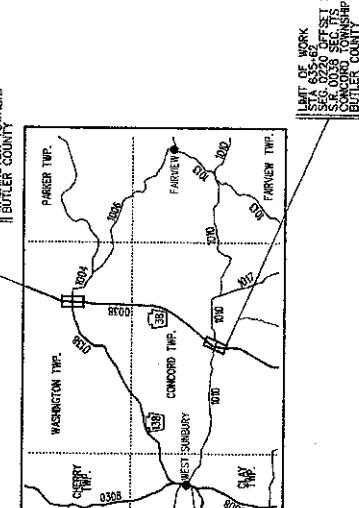
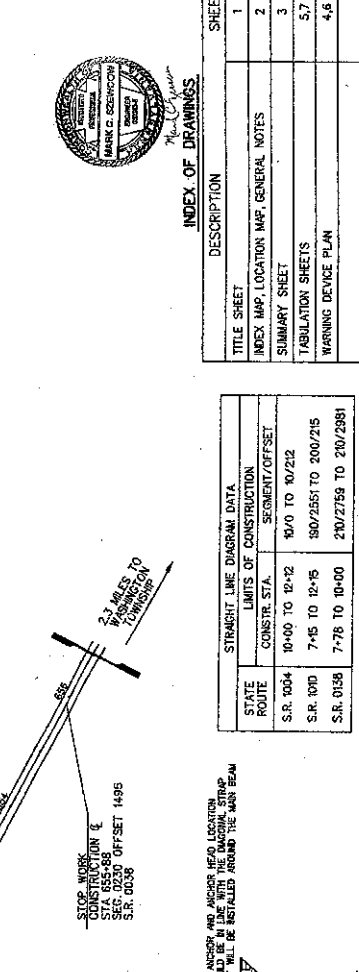
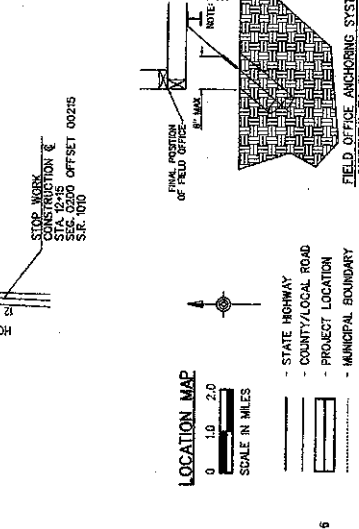
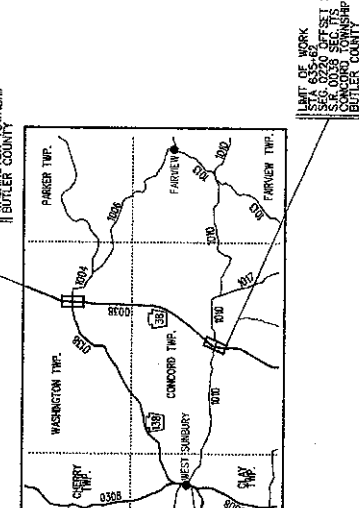
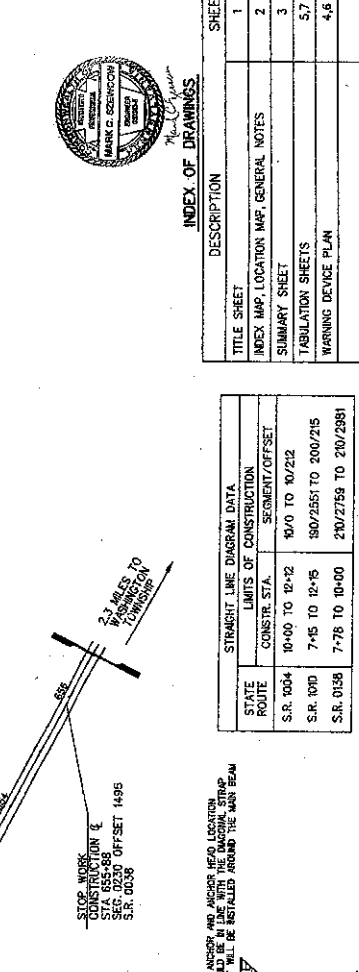
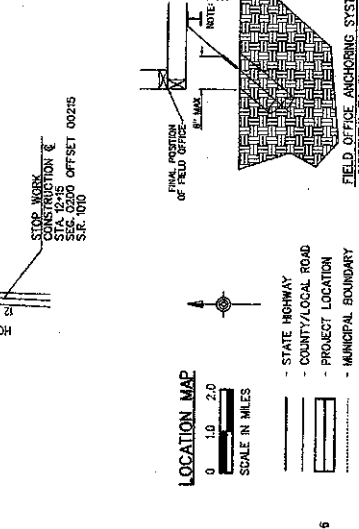
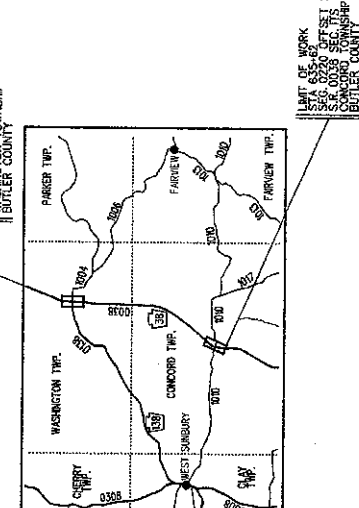
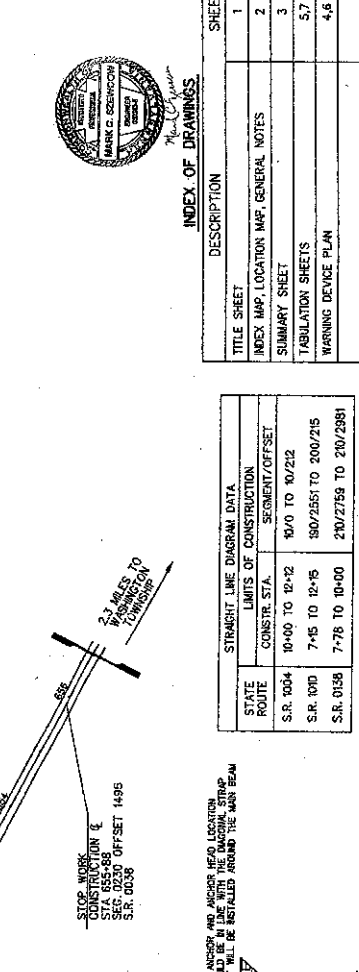
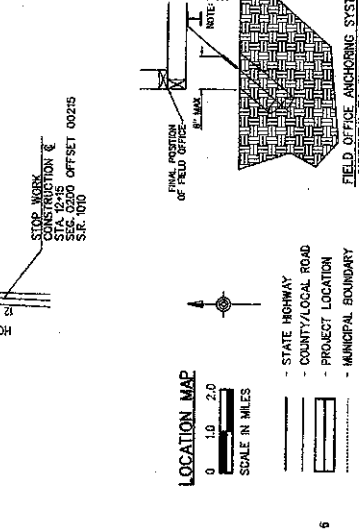
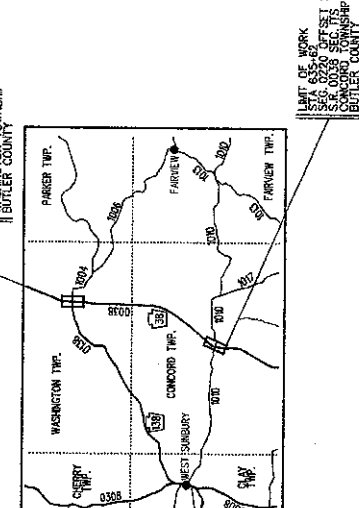
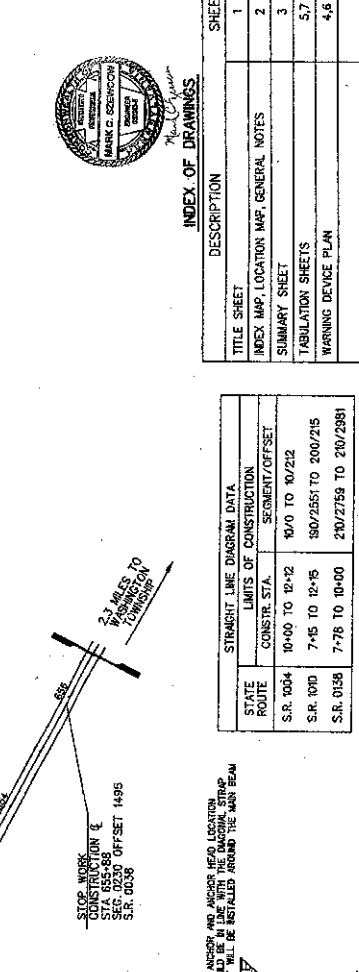
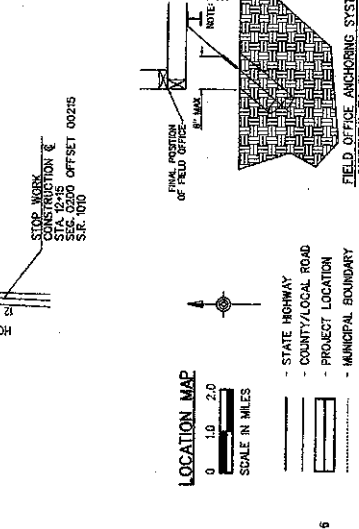
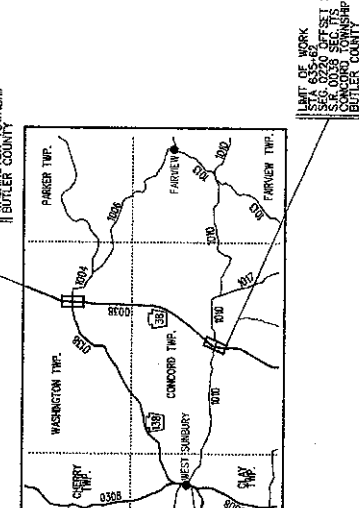
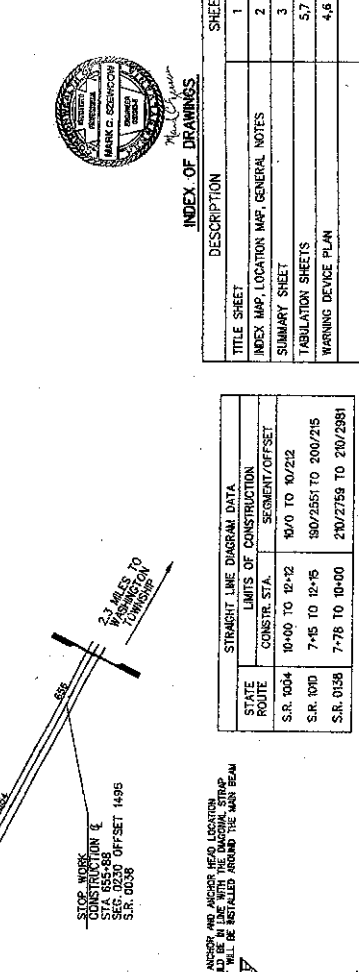
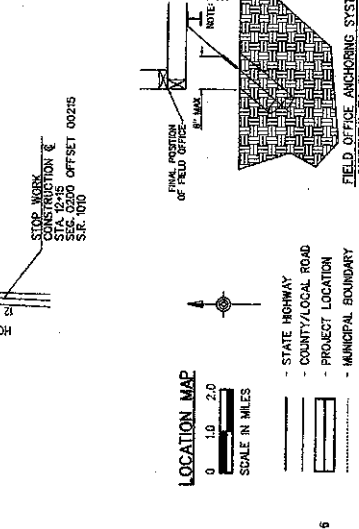
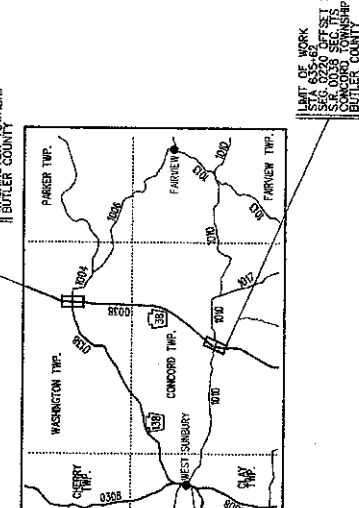
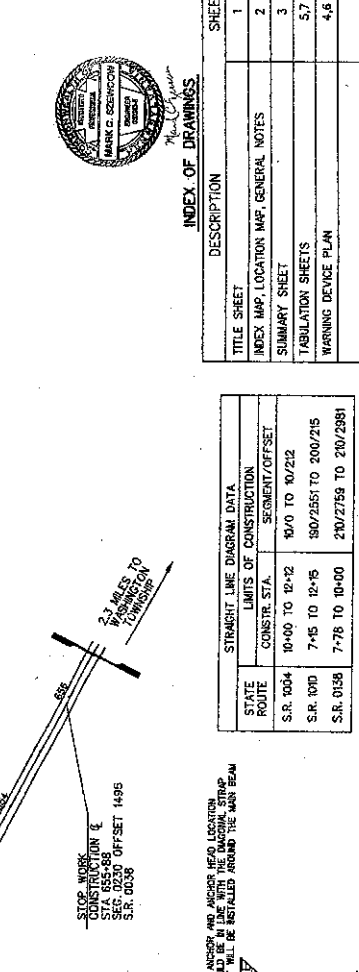
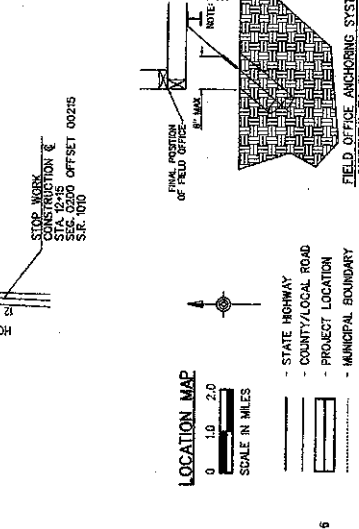
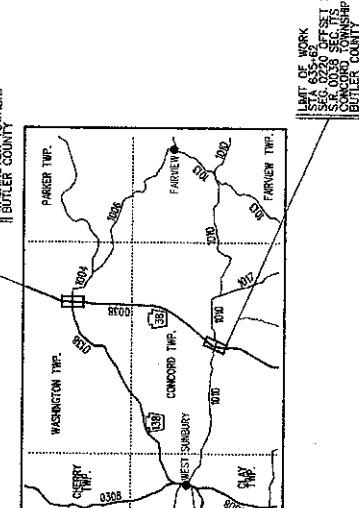
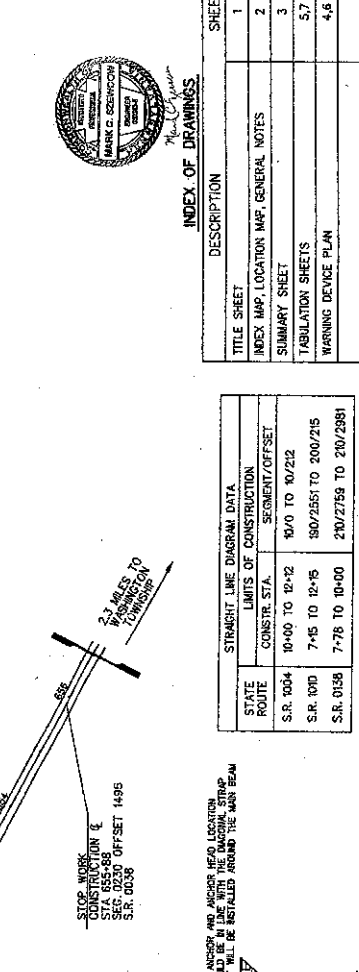
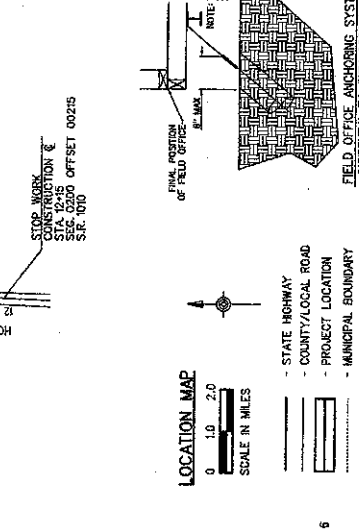
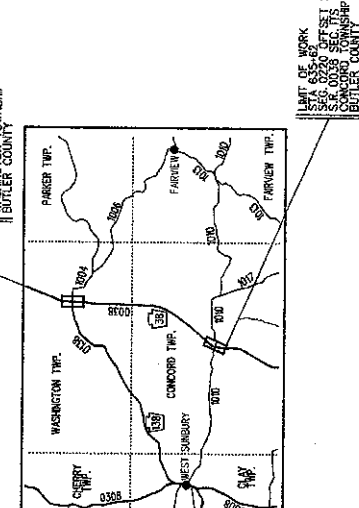
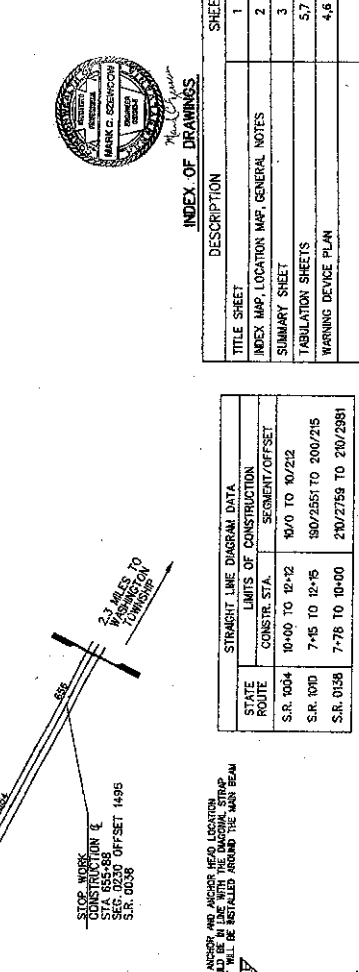
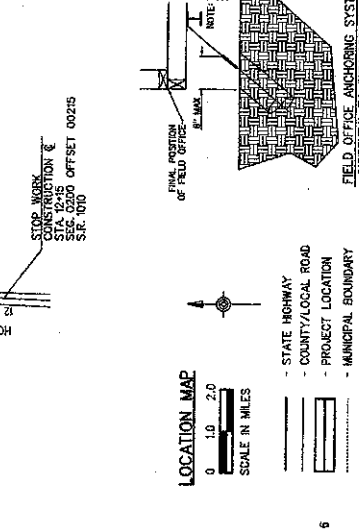
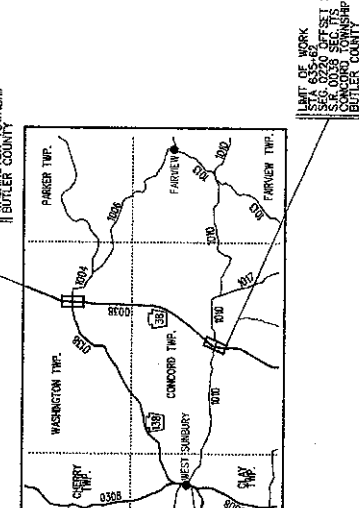
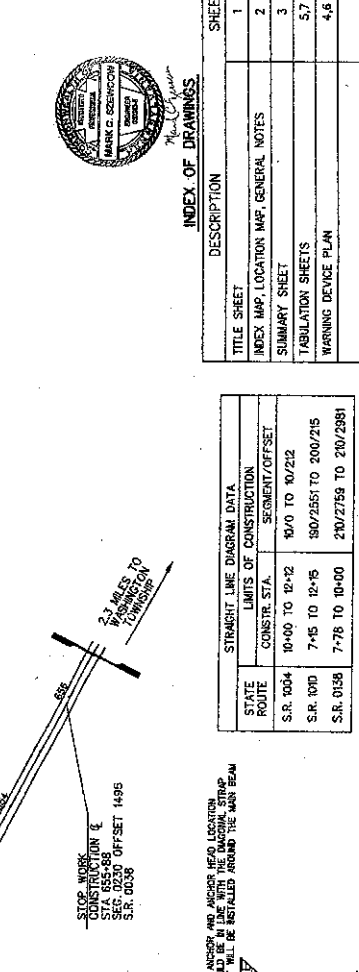
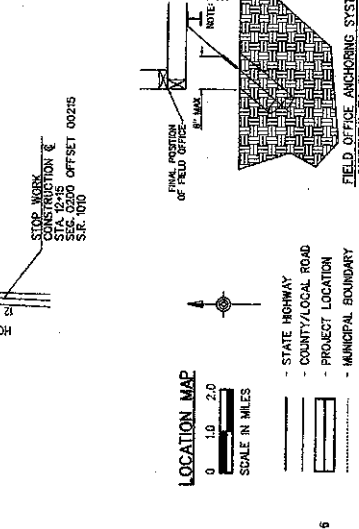
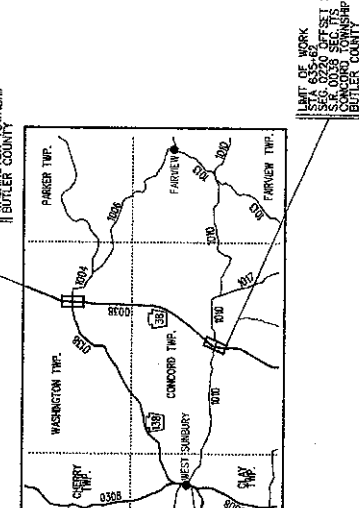
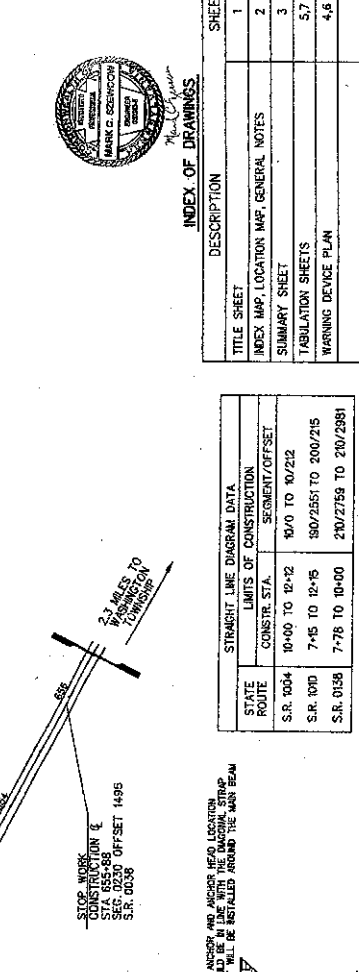
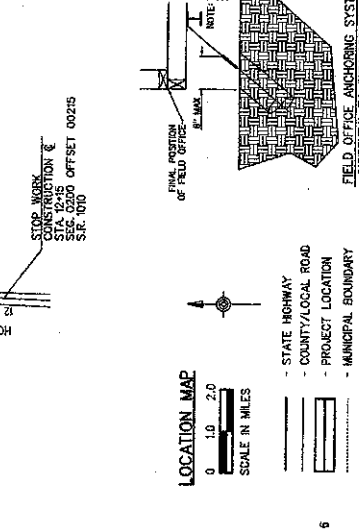
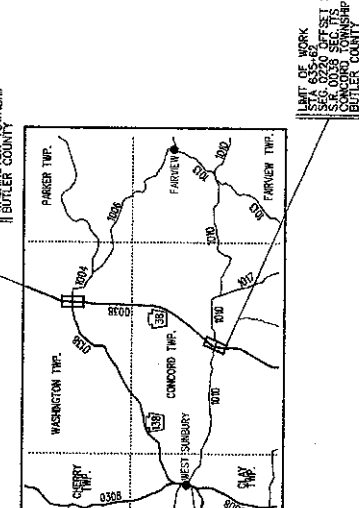
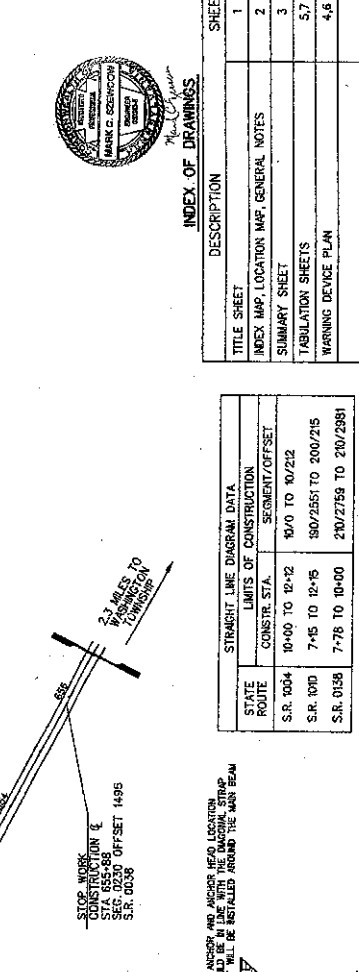
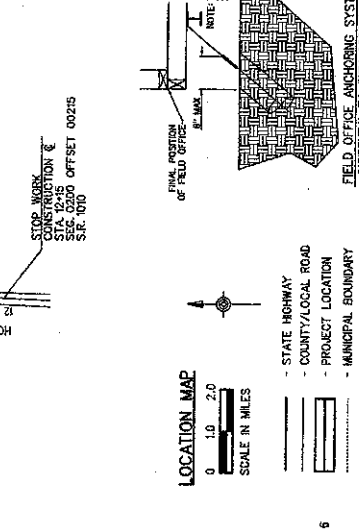
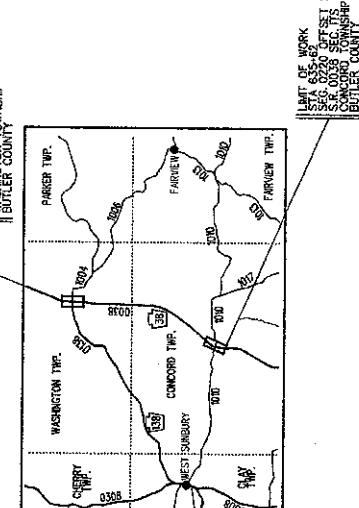
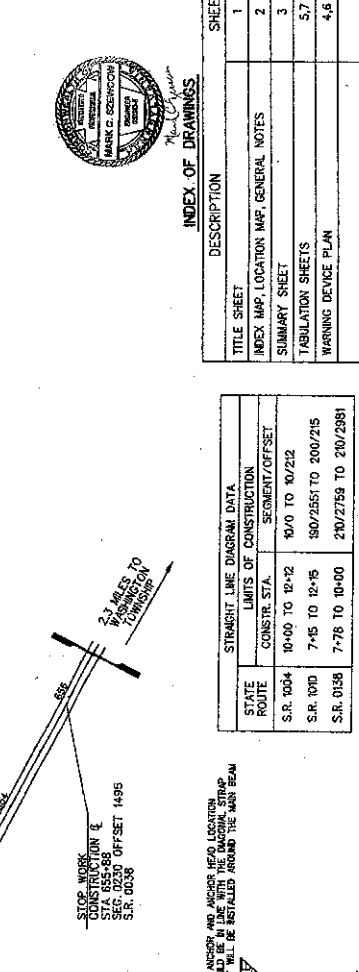
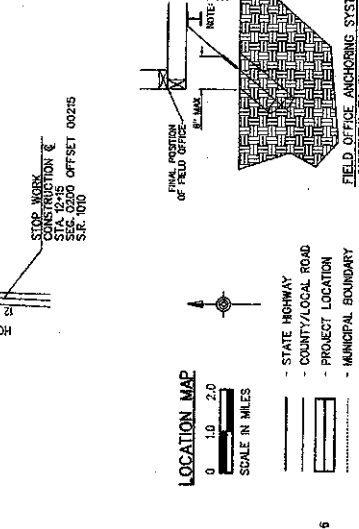
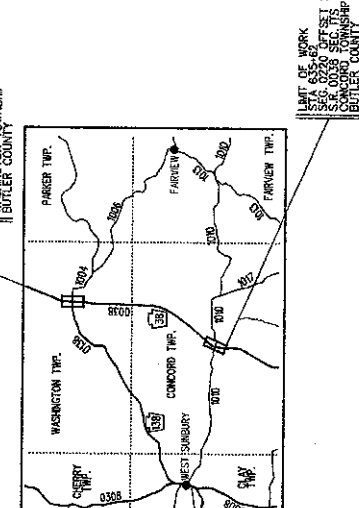
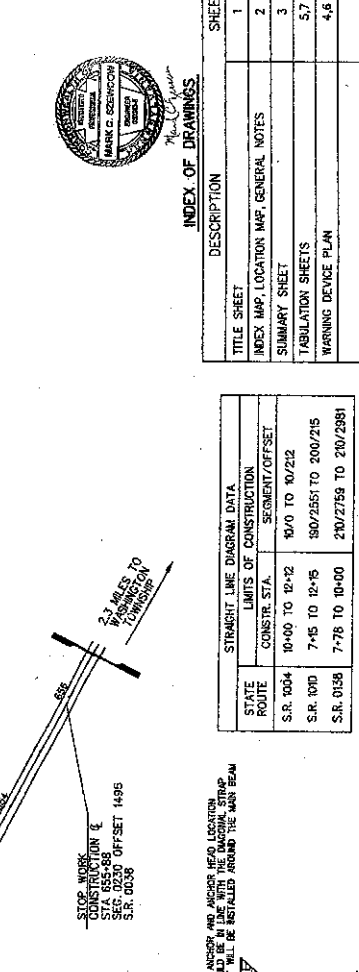
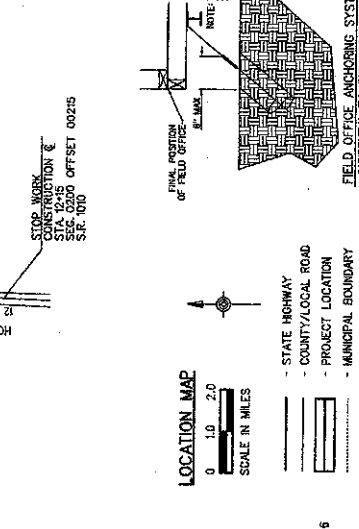
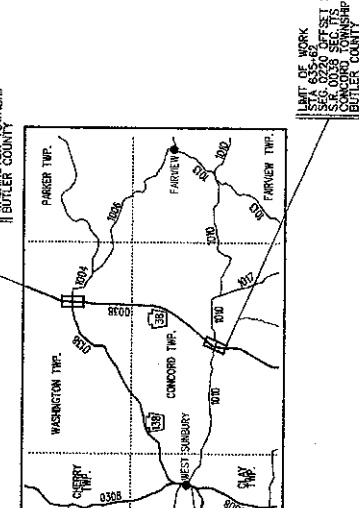
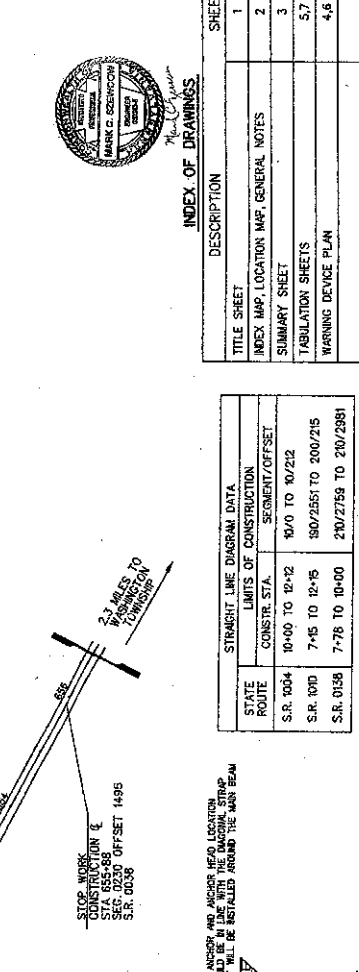
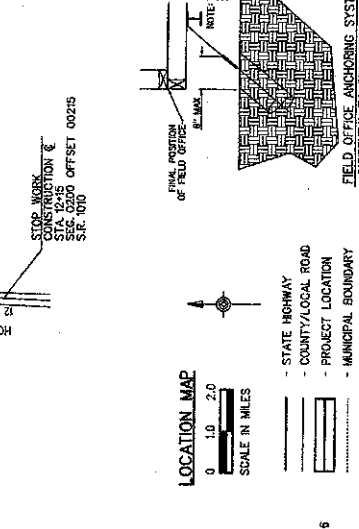
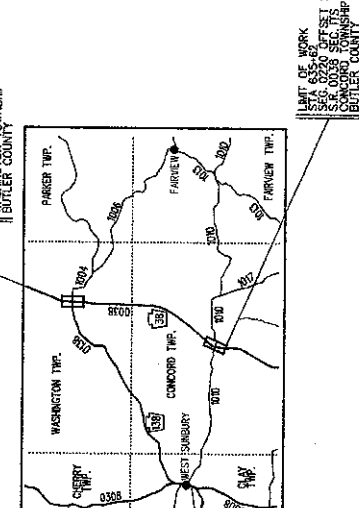
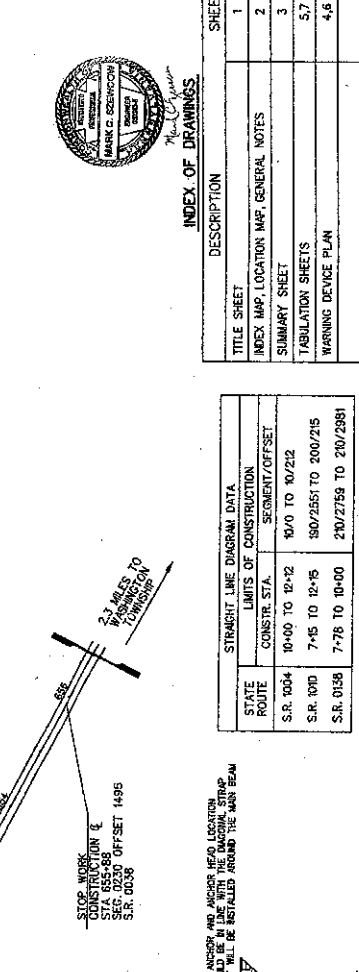
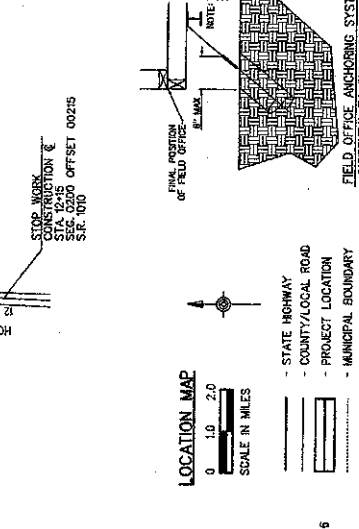
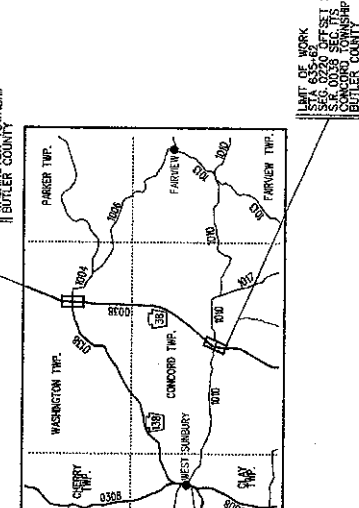
STA. 636+02 TO STA. 654+88
S.R. 0038
BUTLER COUNTY

STOP WORK CONSTRUCTION & LIMIT OF WORK

STA. 637+13 TO STA. 656+94
S.R. 0038
BUTLER COUNTY

STOP WORK CONSTRUCTION & LIMIT OF WORK

STA. 636+02 TO STA. 657+44
S.R. 0038
BUTLER COUNTY



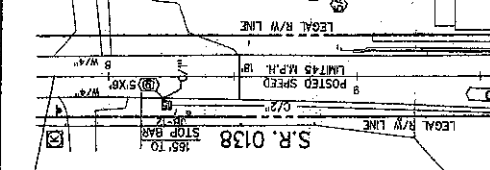
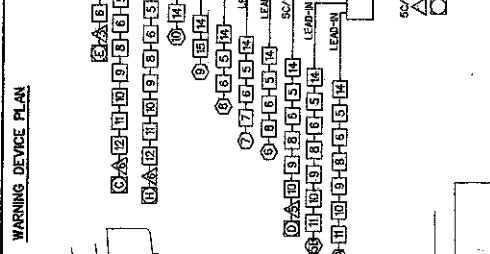
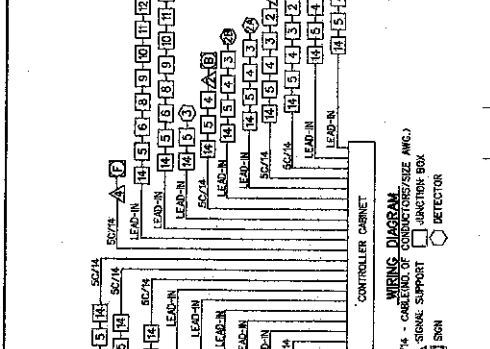
DISTRICT	COUNTY	ROUTE	SECTION	SHEET
10	BUTLER	0038	ITS	6 0
REVISION NO.	WASHINGTON TOWNSHIP			
DATE				

GENERAL NOTES

1) "CAR ROOM" TO BE ILLUMINATED IN A STEADY MODE WHEN ON AS SPECIFIED IN THE OPERATING CHART.

2) FIBER-OPTIC BUNDLES TO BE ARRANGED SO THAT FAILURE OF ONE (1) LAMP WILL NOT EXTINGUISH THE LINE OF MESSAGE. UNLESS OTHERWISE SPECIFIED, ALL FIBER-OPTIC BUNDLES TO BE ILLUMINATED IN A STEADY MODE WHEN ON AS SPECIFIED IN THE OPERATING CHART.

- LEGEND**
- ▲ POLE W/FIBER-OPTIC SIGN
 - POST MOUNTED SIGN
 - VEHICLE DETECTOR
 - JUNCTION BOX
 - C/2' - CONDUIT SIZE
 - CONTROLLER ASSEMBLY
 - W/4" - SOLID WHITE LINE/WIDTH
 - BY/4" - BROKEN WHITE LINE/WIDTH
 - BY/4" - BROKEN YELLOW LINE/WIDTH
 - BY/4" - BROKEN YELLOW LINE/WIDTH
 - ▽ FLASHER DEVICES (SEE NOTE 1)
 - ▽ (FOR INFORMATION ONLY)



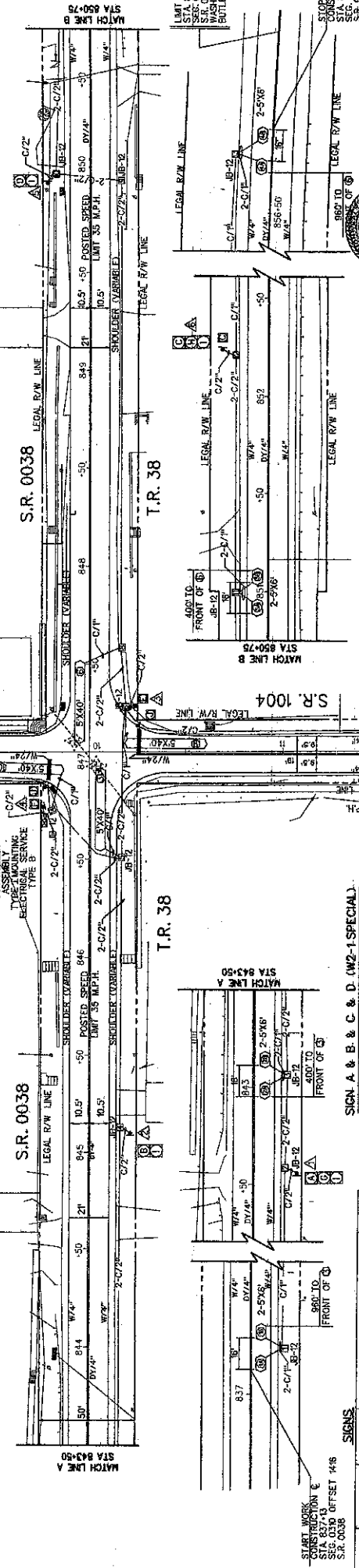
NOTES

- 1) DELAY DETERMINED BY APPROACH SPEED & DISTANCE TO INTERSECTION. MAX DELAY - 12 SEC @ 25MPH
- 2) 1/2 SECOND MAXIMUM
- 3) 8 SECOND MAXIMUM
- 4) 3 SECOND DELAY
- 5) UNTIL NO DETECTION
- 6) PULSE/SPEED ZONE
- 7) PRESENCE
- 8) PULSE
- 9) DELAY DETERMINED BY APPROACH SPEED & DISTANCE TO INTERSECTION. MAX DELAY - 8 SEC @ 25MPH

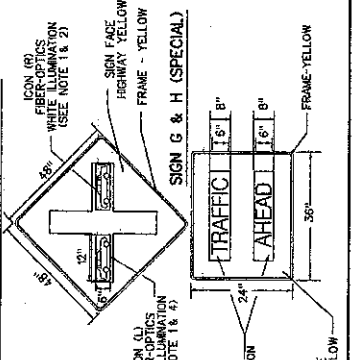
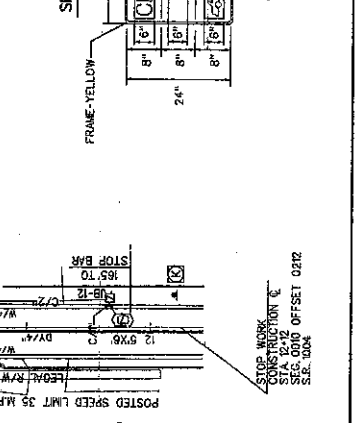
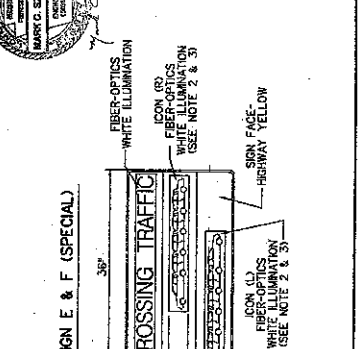
SYSTEM FAILURE OPERATION

THE FAILURE OF ANY SIGN AND/OR LOOP DETECTOR SHALL CAUSE THE FLASHING ILLUMINATION OF ALL SIGN INDICATIONS (ICONS) AT A RATE OF NOT LESS THAN 100 TIMES PER MINUTE UNTIL THE FAILURE HAS BEEN CORRECTED.

PLAN SYMBOL	SERIES DESIGNATION	SIZE W X H	DESCRIPTION	QUANTITY
1	SPECIAL	48"x48"	CROSS ROAD W/VEHICLE ICON	1
2	SPECIAL	48"x48"	FIBER OPTIC W/VEHICLE ICON	1
3	SPECIAL	48"x48"	TRAFFIC AHEAD W/VEHICLE ICON	1
4	SPECIAL	48"x48"	TRAFFIC AHEAD (FIBER OPTIC)	1
5	SPECIAL	24"x36"	TRAFFIC AHEAD (FIBER OPTIC)	1
6	SPECIAL	24"x36"	TRAFFIC AHEAD (FIBER OPTIC)	1
7	W5-T-030	30"x30"	ADVISORY SPEED 30 M.P.H.	4
8	R1-1	36"x36"	STOP	2
9	W8-1A	36"x36"	STOP AHEAD (SYMBOL)	2



START WORK CONSTRUCTION
 STA 843.50
 SEC. 0310 OFFSET 1476
 S.R. 0038



PLAN SYMBOL	SERIES DESIGNATION	SIZE W X H	DESCRIPTION	QUANTITY
1	SPECIAL	48"x48"	CROSS ROAD W/VEHICLE ICON	1
2	SPECIAL	48"x48"	FIBER OPTIC W/VEHICLE ICON	1
3	SPECIAL	48"x48"	TRAFFIC AHEAD W/VEHICLE ICON	1
4	SPECIAL	48"x48"	TRAFFIC AHEAD (FIBER OPTIC)	1
5	SPECIAL	24"x36"	TRAFFIC AHEAD (FIBER OPTIC)	1
6	SPECIAL	24"x36"	TRAFFIC AHEAD (FIBER OPTIC)	1
7	W5-T-030	30"x30"	ADVISORY SPEED 30 M.P.H.	4
8	R1-1	36"x36"	STOP	2
9	W8-1A	36"x36"	STOP AHEAD (SYMBOL)	2

County: BUTLER
 Municipality: WASHINGTON TOWNSHIP
 Intersection: S.R. 0038 AND S.R. 0138/S.R. 1004

Recommended by: *[Signature]*
 District Traffic Engineer
 Date: 4/14/11

Scale: 0 25 50 75